

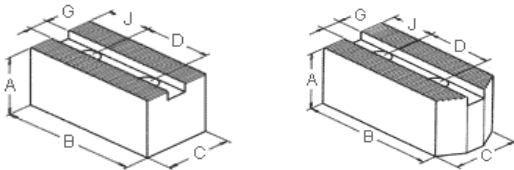
VERTECH INT'L INC

420 Station Road
Quakertown, PA 18951

Phone: 215-529-0300

Fax: 215-529-0469

SOFT JAWS - 1.5MM X 60 SERRATIONS
For Kitagawa, Howa, Suga, Nikko, Matsumoto & other Chucks



Available in 1018 CRS or 6061-T6 Aluminum

Chuck Dia Inch	Critical Dimensions							STEEL
	Groove Width G	Bolt Size	Center to Center D	Hole to Front J	Width Inch C	Length Inch B	Height Inch A	Vertech Part Number
4"	0.394	8MM	0.551	1.000	1.000	2.000	1.00	KT 4105F
	0.394	8MM	0.551	1.000	1.000	2.000	2.00	KT 4205F
5"	0.394	8MM	0.713	1.250	1.000	2.375	1.50	KT 5153F
6"	0.433	8MM	0.985	1.625	1.000	3.000	1.50	SG 6150F
	0.433	8MM	0.985	1.625	1.000	3.000	3.00	SG 6300F
	0.472	10MM	0.787	1.625	1.250	3.000	1.00	KT 6100F
	0.472	10MM	0.787	1.625	1.250	3.000	1.50	KT 6150F
	0.472	10MM	0.787	1.625	1.250	3.000	2.00	KT 6200F
	0.472	10MM	0.787	1.625	1.250	3.000	2.50	KT 6250F
	0.472	10MM	0.787	1.625	1.250	3.000	3.00	KT 6300F
	0.472	10MM	0.787	1.625	1.250	3.000	4.00	KT 6400F

NOTE: When specifying "Pointed" Jaws, replace the "F" in the part number with "P"

Vertech International Inc.

Order Toll Free: 1-877-967-5465

Fax: 215-529-0469

E-Mail: sales@877workhold.com

VERTECH INT'L INC

420 Station Road
Quakertown, PA 18951

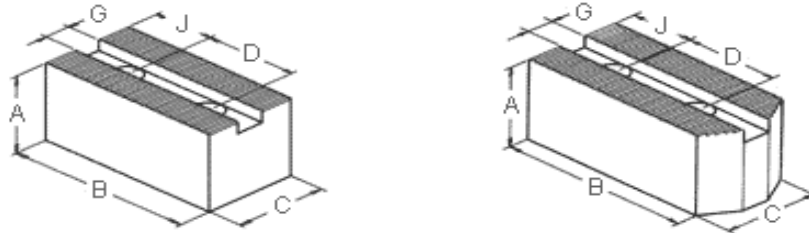
Phone: 215-529-0300

Fax: 215-529-0469

SOFT JAWS - 1.5MM X 60 SERRATIONS

For Kitagawa, Howa, Suga, ,Nikko, Matsumoto & other Chucks

Available in 1018 CRS or 6061-T6 Aluminum



Chuck Dia Inch	Critical Dimensions							STEEL
	Groove Width G	Bolt Size	Center to Center D	Hole to Front J	Width Inch C	Length Inch B	Height Inch A	Vertech Part Number
8"	0.551	12MM	0.984	2.000	1.500	3.75	1.50	KT 8150F
	0.551	12MM	0.984	2.000	1.500	3.75	2.00	KT 8200F
	0.551	12MM	0.984	2.000	1.500	3.75	3.00	KT 8300F
	0.551	12MM	0.984	2.000	1.500	3.75	4.00	KT 8400F
	0.551	12MM	0.984	2.250	1.500	4.00	2.00	KT 8201F
	0.551	12MM	0.984	2.250	1.500	4.00	3.00	KT 8301F
	0.551	12MM	0.984	2.250	1.500	4.00	4.00	KT 8401F
	0.551	12MM	0.984	2.000	1.500	3.75	5.00	KT 8500F
	0.630	12MM	0.984	2.000	1.500	3.75	2.00	HO 8200F
	0.630	12MM	0.984	2.000	1.500	3.75	3.00	HO 8300F
0.669	12MM	0.905	2.000	1.500	3.75	2.00	AB 8200	

NOTE: When specifying "Pointed" Jaws, replace the "F" in the part number with "P"

Vertech International Inc.

Order Toll Free: 1-877-967-5465

Fax: 215-529-0469

E-Mail: sales@877workhold.com

VERTECH INT'L INC

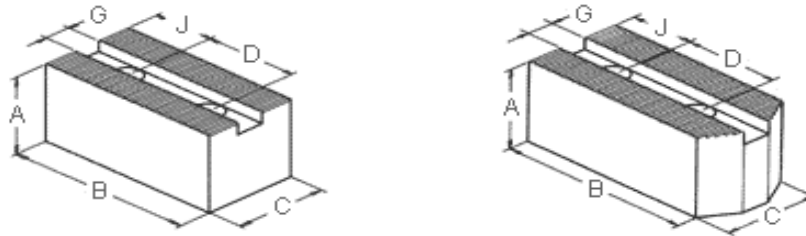
420 Station Road
Quakertown, PA 18951

Phone: 215-529-0300

Fax: 215-529-0469

SOFT JAWS - 1.5MM X 60 SERRATIONS
For Kitagawa, Howa, Suga, Nikko, Matsumoto & other Chucks

Available in 1018 CRS or 6061-T6 Aluminum



Critical Dimensions								STEEL
Chuck Dia Inch	Groove Width G	Bolt Size	Center to Center D	Hole to Front J	Width Inch C	Length Inch B	Height Inch A	Vertech Part Number
10"	0.630	12MM	1.181	2.375	1.50	4.50	2.00	KT 10200F
	0.630	12MM	1.181	2.375	1.50	4.50	3.00	KT 10300F
	0.630	12MM	1.181	2.375	1.50	4.50	4.00	KT 10400F
	0.630	12MM	1.181	2.375	1.50	4.50	6.00	KT 10600F
	0.709	14MM	1.181	2.375	1.50	4.50	2.00	HO 10200F
	0.630	12MM	1.250	2.375	1.50	4.50	2.00	MT 10200F
	0.630	12MM	1.181	2.875	1.50	5.00	2.00	KT 10201F
	0.630	12MM	1.181	2.875	1.50	5.00	3.00	KT 10301F
	0.630	12MM	1.181	2.875	2.00	5.25	2.00	KT 10205F
0.630	12MM	1.181	2.875	2.00	5.25	3.00	KT 10305F	

NOTE: When specifying "Pointed" Jaws, replace the "F" in the part number with "P"

Vertech International Inc.

Order Toll Free: 1-877-967-5465

Fax: 215-529-0469

E-Mail: sales@877workhold.com

VERTECH INT'L INC

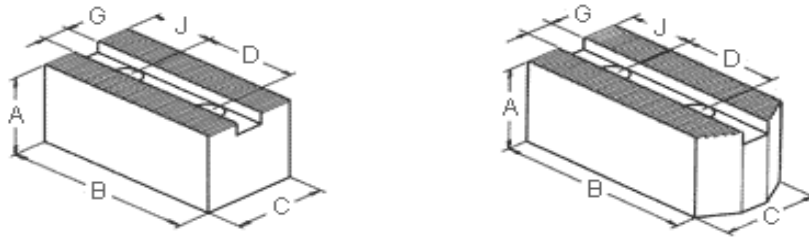
420 Station Road
Quakertown, PA 18951

Phone: 215-529-0300

Fax: 215-529-0469

SOFT JAWS - 1.5MM X 60 SERRATIONS
For Kitagawa, Howa, Suga, Nikko, Matsumoto & other Chucks

Available in 1018 CRS or 6061-T6 Aluminum



Critical Dimensions								STEEL
Chuck Dia Inch	Groove Width G	Bolt Size	Center to Center D	Hole to Front J	Width Inch C	Length Inch B	Height Inch A	Vertech Part Number
12"	0.709	14MM	1.181	3.125	2.00	5.50	2.00	KT 12200F
	0.709	14 MM	1.181	3.125	2.00	5.50	2.50	KT 12250F
	0.709	14MM	1.181	3.125	2.00	5.50	3.00	KT 12300F
	0.709	14MM	1.181	3.125	2.00	5.50	4.00	KT 12400F
	0.709	14MM	1.181	3.625	2.00	6.00	2.00	KT 12201F
	0.827	16MM	1.181	3.125	2.00	5.50	2.00	KT 12208F
	0.827	16MM	1.181	3.125	2.00	5.50	2.50	KT 12258F
	0.827	16MM	1.181	3.125	2.00	5.50	3.00	KT 12308F
	0.827	16MM	1.181	3.125	2.00	5.50	4.00	KT 12408F
	0.827	16MM	1.378	3.125	2.00	5.50	2.50	HO 12250

NOTE: When specifying "Pointed" Jaws, replace the "F" in the part number with "P"

Vertech International Inc.

Order Toll Free: 1-877-967-5465

Fax: 215-529-0469

E-Mail: sales@877workhold.com

VERTECH INT'L INC

420 Station Road
Quakertown, PA 18951

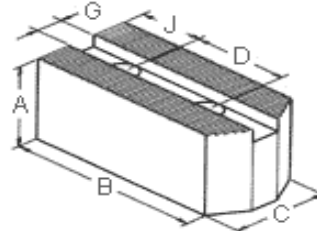
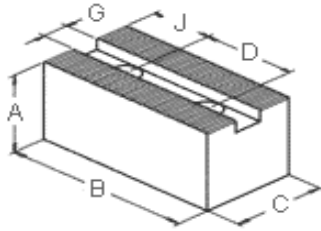
Phone: 215-529-0300

Fax: 215-529-0469

SOFT JAWS - 1.5MM X 60 SERRATIONS

For Kitagawa, Howa, Suga, Nikko, Matsumoto & other Chucks

Available in 1018 CRS or 6061-T6 Aluminum



Critical Dimensions								STEEL
Chuck Dia Inch	Groove Width G	Bolt Size	Center to Center D	Hole to Front J	Width Inch C	Length Inch B	Height Inch A	Vertech Part Number
15"	0.866	20MM	1.690	3.437	2.50	6.50	2.50	KT 15250F
	0.866	20MM	1.690	3.437	2.50	6.50	3.00	KT 15300F
	0.866	20MM	1.690	3.437	2.50	6.50	4.00	KT 15400F
	0.866	20MM	1.690	4.437	2.50	7.50	2.50	KT 15255F
	0.866	20MM	2.360	2.750	2.50	6.50	2.50	KT 15252F
	1.005	20MM	1.690	3.437	2.50	6.50	3.00	KT 15301F

NOTE: When specifying "Pointed" Jaws, replace the "F" in the part number with "P"

Vertech International Inc.

Order Toll Free: 1-877-967-5465

Fax: 215-529-0469

E-Mail: sales@877workhold.com

VERTECH INT'L INC

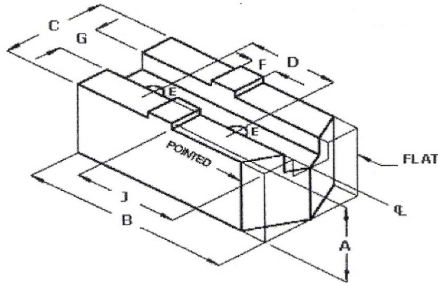
420 Station Road
Quakertown, PA 18951

Phone: 215-529-0300

Fax: 215-529-0469

SOFT JAWS- TONGUE AND GROOVE

For Kitagawa, Howa, Suga, Nikko, Matsumoto & other Chucks



Available in 1018 CRS or 6061-T6 Aluminum

Critical Dimensions								STEEL
Tongue to Front J	Groove Width G	Tongue Width F	Bolt Size	Center to Center D	Width Inch C	Length Inch B	Height Inch A	Vertech Part Number
1.360	0.312	0.499	3/8	1.500	1.000	2.750	1.500	TG 6150
1.360	0.312	0.499	3/8	1.500	1.000	2.750	2.000	TG 6200
2.000	0.312	0.499	3/8	1.750	1.250	3.750	2.000	TG 8200
2.000	0.312	0.499	3/8	1.750	1.250	3.750	3.000	TG 8300
2.000	0.312	0.499	3/8	1.750	1.250	3.750	4.000	TG 8400
2.000	0.312	0.499	3/8	1.750	1.250	3.750	5.000	TG 8500
2.300	0.501	0.749	1/2	2.125	1.500	4.500	2.000	TG 10200
2.300	0.501	0.749	1/2	2.125	1.500	4.500	2.500	TG 10250
2.300	0.501	0.749	1/2	1.500	1.500	4.500	3.000	TG 10300
2.300	0.501	0.749	1/2	2.125	1.500	4.500	4.000	TG 10400

NOTE: When specifying "Pointed" Jaws, replace the "F" in the part number with "P"

Vertech International Inc.

Order Toll Free: 1-877-967-5465

Fax: 215-529-0469

E-Mail: sales@877workhold.com

VERTECH INT'L INC

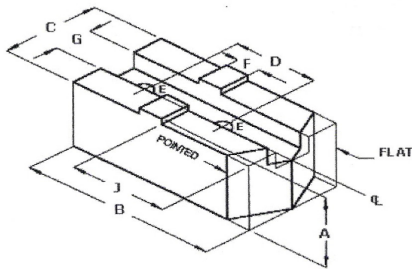
420 Station Road
Quakertown, PA 18951

Phone: 215-529-0300

Fax: 215-529-0469

SOFT JAWS- TONGUE AND GROOVE

For Kitagawa, Howa, Suga, Nikko, Matsumoto & other Chucks



Available in 1018 CRS or 6061-T6 Aluminum

Critical Dimensions								STEEL
Tongue to Front J	Groove Width G	Tongue Width F	Bolt Size	Center to Center D	Width Inch C	Length Inch B	Height Inch A	Vertech Part Number
2.900	0.501	0.749	1/2	2.500	1.750	5.250	2.000	TG 12200
2.900	0.501	0.749	1/2	2.500	1.750	5.250	2.500	TG 12250
2.900	0.501	0.749	1/2	2.500	1.750	5.250	3.000	TG 12300
2.900	0.501	0.749	1/2	2.500	1.750	5.250	4.000	TG 12400
3.670	0.501	0.749	1/2	2.500	2.000	6.000	2.500	TG 12252
3.200	0.501	0.749	3/4	3.000	2.500	6.000	4.000	TG 15406
3.660	0.501	0.749	3/4	3.000	2.250	6.500	2.500	TG 18250
3.660	0.501	0.749	3/4	3.000	2.500	6.500	2.500	TG 18252

NOTE: When specifying "Pointed" Jaws, replace the "F" in the part number with "P"

Vertech International Inc.

Order Toll Free: 1-877-967-5465

Fax: 215-529-0469

E-Mail: sales@877workhold.com

VERTECH INT'L INC

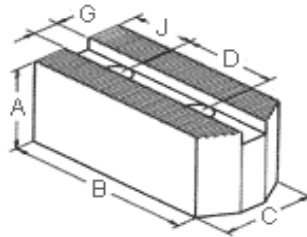
420 Station Road
Quakertown, PA 18951

Phone: 215-529-0300

Fax: 215-529-0469

SOFT JAWS - 3.0MM X 60 SERRATIONS
For Kitagawa, Howa, Suga, Nikko, Matsumoto & other Chucks

Available in 1018 CRS



Critical Dimensions								STEEL
Chuck Dia. Inches	Groove Width G	Bolt Size	Center to Center D	Hole to Front J	Width Inch C	Length Inch B	Height Inch A	Vertech Part Number
10"	0.630	12MM	1.181	2.625	1.500	4.750	4.000	H3 10400
	1.023	20MM	1.969	3.187	2.500	6.250	4.000	H3 15400
15"	0.866	20MM	1.969	3.187	2.500	6.250	2.500	M3 15250
21"	0.984	20MM	2.360	3.070	2.500	7.000	2.500	K3 21250
	0.984	20MM	2.360	3.070	2.500	7.000	4.000	K3 21400

NOTE: When specifying "Pointed" Jaws, replace the "F" in the part number with "P"

Vertech International Inc. Order Toll Free: 1-877-967-5465 Fax: 215-529-0469

E-Mail: sales@877workhold.com

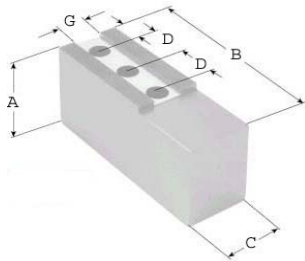
VERTECH INT'L INC

420 Station Road
Quakertown, PA 18951

Phone: 215-529-0300

Fax: 215-529-0469

SOFT JAWS - 1/16" X 90 SERRATIONS
For Kitagawa, Howa, Suga, Nikko, Matsumoto & other Chucks



Available in 1018 CRS

Critical Dimensions								STEEL
Chuck Dia. Inches	Groove Width G	Bolt Size	Center to Center D	Hole to Front J	Width Inch C	Length Inch B	Height Inch A	Vertech Part Number
6"	0.433	5/16	0.718	1.250	1.250	3.125	1.500	PH 6150
	0.669	1/2	0.875	2.125	1.500	4.375	2.000	PH 8200
8"	0.669	1/2	1.000	1.725	1.500	4.375	2.000	PH 8201
	0.551	3/8	0.875	2.325	1.750	4.750	2.000	PH 10205
10"	0.787	1/2	1.187	2.250	1.750	5.250	2.500	PH10250
	0.827	1/2	1.187	2.250	1.750	5.250	2.500	PH 12250
12"	0.827	1/2	1.187	2.875	2.000	5.250	4.000	SM 12400

NOTE: When specifying "Pointed" Jaws, replace the "F" in the part number with "P"

Vertech International Inc.

Order Toll Free: 1-877-967-5465

Fax: 215-529-0469

E-Mail: sales@877workhold.com

VERTECH INT'L INC

420 Station Road
Quakertown, PA 18951

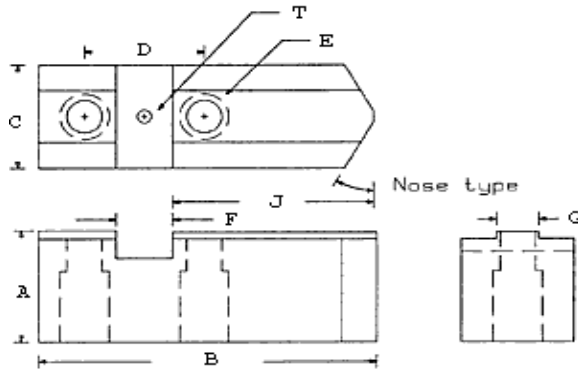
Phone: 215-529-0300

Fax: 215-529-0469

ACME SERRATED KEY TYPE

For Kitagawa, Howa, Suga, Nikko, Matsumoto & other Chucks

Available in 1018 CRS



Critical Dimensions

Tap Hole T	Dist. To Key J	Critical Dimensions							STEEL
		Groove Width G	Key Width F	Bolt Size	Center to Center D	Width Inch C	Length Inch B	Height Inch A	Vertech Part Number
5/16-18	2.250	0.670	0.601	1/2	1.750	1.750	4.250	2.500	AC 10250
3/8-16	3.000	1.000	1.531	3/4	2.500	2.000	6.250	2.500	AC 15250
3/8-16	3.400	1.000	1.531	3/4	2.500	2.500	6.250	2.500	AC 18250
3/8-16	3.400	1.000	1.531	3/4	2.500	2.500	6.250	4.000	AC 18400

NOTE: When specifying "Pointed" Jaws, replace the "F" in the part number with "P"

Vertech International Inc.

Order Toll Free: 1-877-967-5465

Fax: 215-529-0469

E-Mail: sales@877workhold.com

VERTECH INT'L INC

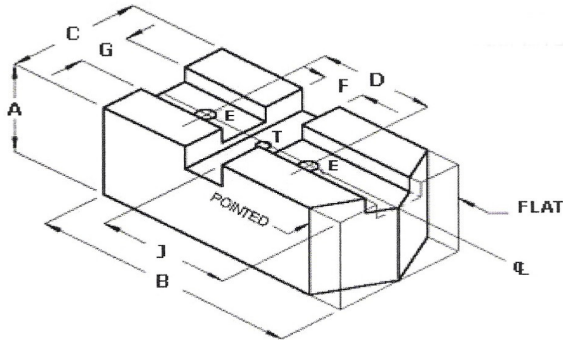
420 Station Road
Quakertown, PA 18951

Phone: 215-529-0300

Fax: 215-529-0469

SQUARE SERRATED KEY TYPE

For Kitagawa, Howa, Suga, Nikko, Matsumoto & other Chucks



Available in 1018 CRS

Critical Dimensions									STEEL
Tap Hole T	Dist. To Key J	Groove Width G	Key Width F	Bolt Size	Center to Center D	Width Inch C	Length Inch B	Height Inch A	Vertech Part Number
NONE	1.500	0.738	0.377	5/16	1.688	1.000	3.000	2.000	SP 6200
5/16-18	2.750	0.751	0.994	5/8	1.750	1.750	4.750	2.500	SP 12255F
5/16-18	2.500	0.751	0.994	5/8	1.750	1.750	5.500	2.500	SP 12257
3/8-16	3.250	1.001	1.488	3/4	2.500	2.500	6.250	3.000	SP 15300

NOTE: When specifying "Pointed" Jaws, replace the "F" in the part number with "P"

Vertech International Inc.

Order Toll Free: 1-877-967-5465

Fax: 215-529-0469

E-Mail: sales@877workhold.com

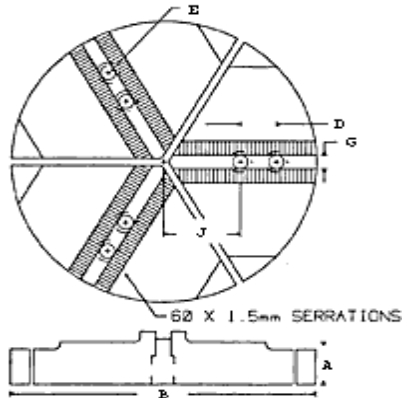
VERTECH INT'L INC

420 Station Road
Quakertown, PA 18951

Phone: 215-529-0300

Fax: 215-529-0469

FULL GRIP SOFT JAWS 1.5 MM X 60 SERRATIONS



Available in 6061-T6 Aluminum

Critical Dimensions						ALUMINUM
Height Inches	Pie Diameter	Center to Center D	Screw Size	Groove Width G	Hole to Front	Vertech Part Number
2.000	6	0.787	10MM	0.472	1.625	RKT 6200A
2.000	8	0.984	12MM	0.551	2.250	RKT 8200A
3.000	8	0.984	12MM	0.551	2.250	RKT 8300A
4.000	8	0.984	12MM	0.551	2.250	RKT 8400CI
2.000	10	1.181	12MM	0.630	2.375	RKT 10200A
3.000	10	1.181	12MM	0.630	2.375	RKT 10300A
2.000	12	1.181	14MM	0.709	2.875	RKT 12200A
3.000	12	1.81	14MM	0.709	2.875	RKT 12300A
2.500	15	1.690	20MM	0.866	3.750	RKT 15250A

Vertech International Inc.

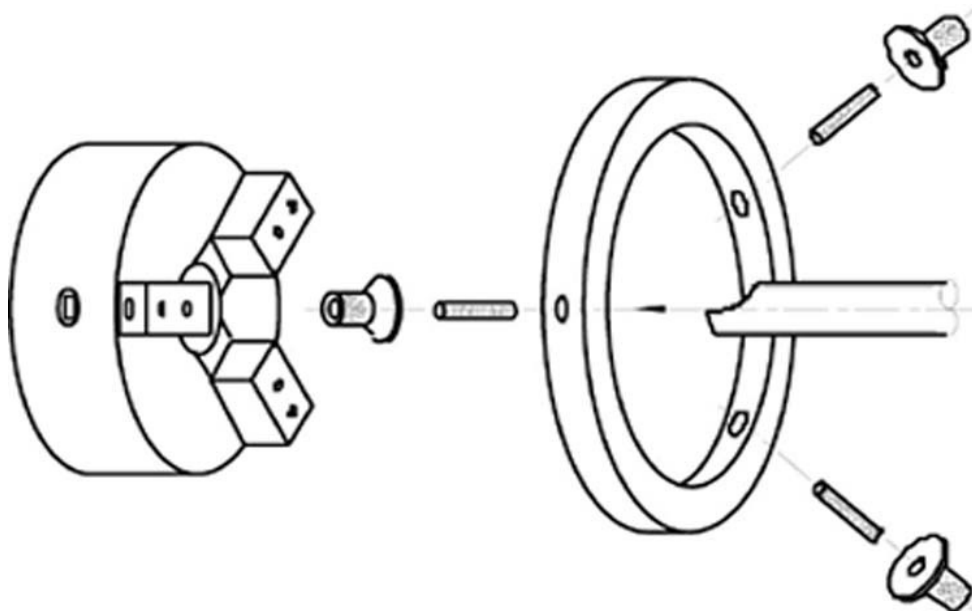
Order Toll Free: 1-877-967-5465 Fax: 215-529-0469

E-Mail: sales@877workhold.com

JAW BORING TOOLS

FEATURES:

- Ideal for machining soft jaws
- Attach quickly without tools
- Applies equal pressure to all jaws



Chuck Size	Accu-Ring Size	Part Number	Price
6"	8"	VAR-06	\$150.00
8"	10"	VAR-08	\$200.00
10"	12"	VAR-10	\$250.00
12"	15"	VAR-12	\$300.00
15"	18"	VAR-15	\$400.00

RISK FREE GUARANTEE!!
 We are so convinced that you *WILL* be satisfied with our Accu-Ring,
 that we are offering a 30-Day Money Back Guarantee!